

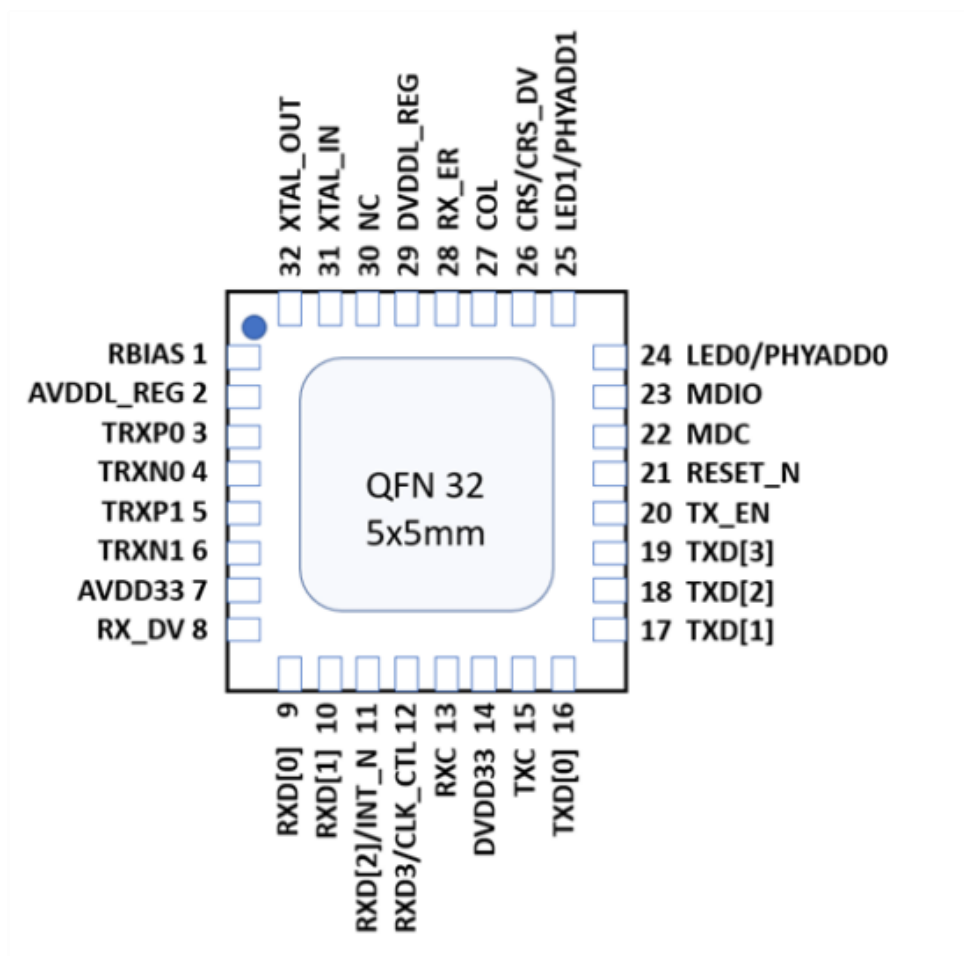
# Motorcomm SZ18201 Product Brief

The SZ18201 is a low power single-port 10/100 Mbps Ethernet PHY.

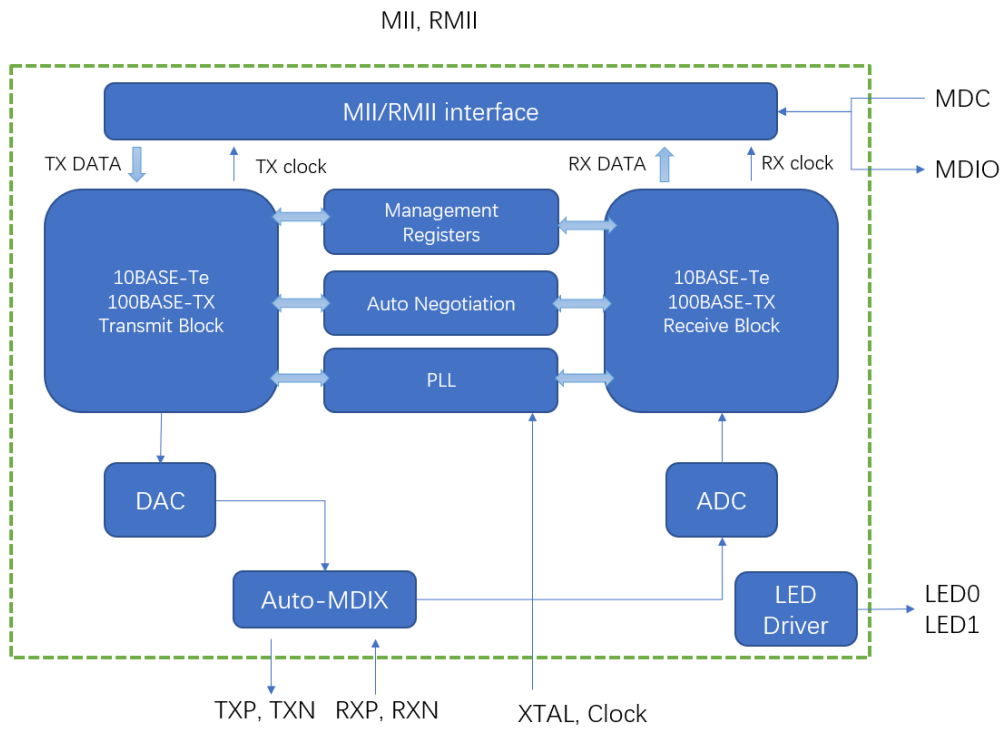
## Overview

SZ18201 provides all physical layer functions needed to transmit and receive data over both standard twisted pair cables transceiver. Additionally, the SZ18201 provides flexibility to connect to a MAC through a standard MII and RMI interface. The SZ18201 uses mixed-signal processing to perform equalization, data recovery, and error correction to achieve robust operation over CAT5 twisted-pair cable.

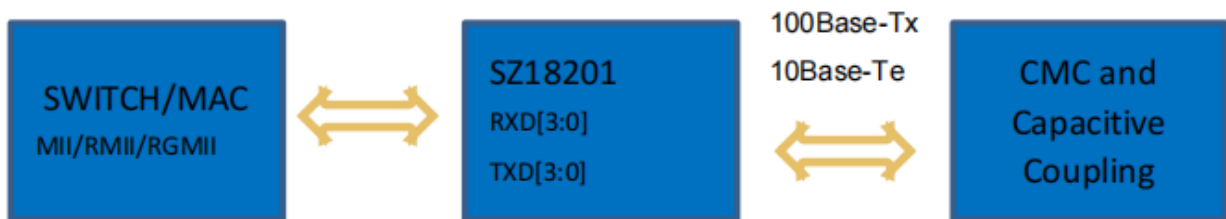
## Pin Assignment



## Block Diagram



## Application Diagram



## Key Features

- EEE 802.3az, EEE
- 100Base-TX
- 10Base-Te
- MII mode
- RMII mode
- Full/Half duplex
- Auto-negotiation
- Power down mode
- Base Line Wander (BLW) compensation
- Auto MDIX
- Interrupt function
- WOL, Wake on Lan
- Automatic Polarity correction
- 2 sets LED indicator
- 25 MHz crystal or OSC
- Provide 50Mhz clock source for MAC
- Single Power supply, internal LDO
- Package QFN 32, 5x 5mm

## Target Applications

- General Embedded Applications
- Video Surveillance
- Industrial Controls
- Factory Automation